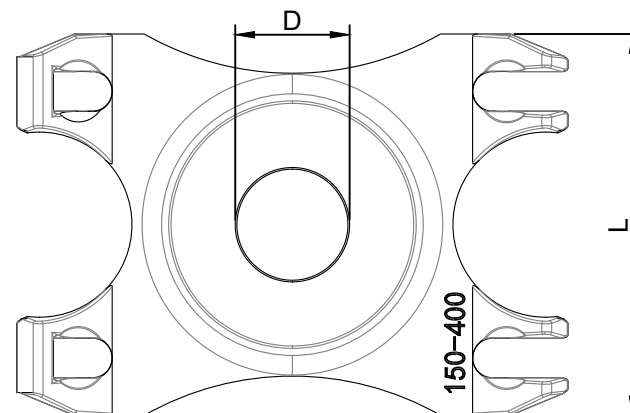
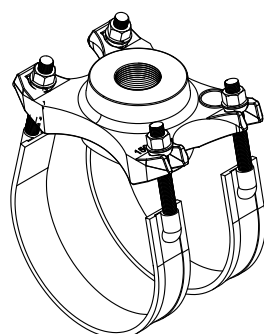
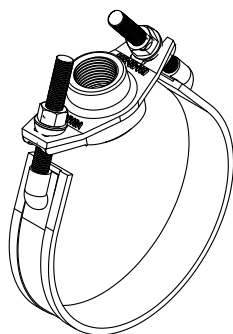
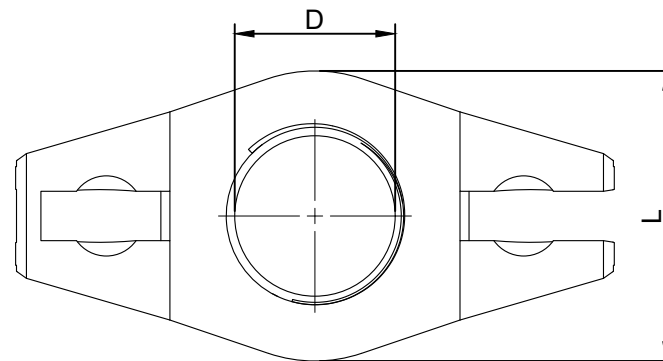
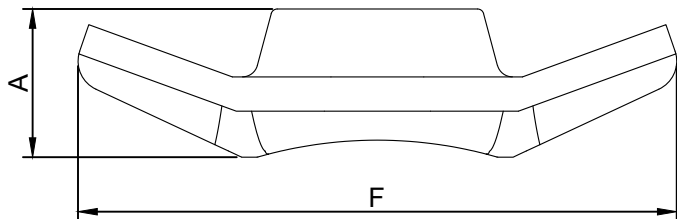


Fig:T503



Material Specification:

No.	Parts Name	Material	Specification
1	Headstock	Ductile Iron	GGG50
2	Gasket	Rubber	EPDM
3	Band	SS+Rubber	AISI304+EPDM
4	Washer	Stainless Steel	A2
5	Nut	Stainless Steel	A2

DRAWER		TOLERANCE		MATERIAL:	UNIT:mm
CHECK		SCALE		Universal tapping saddle	
APPROVAL		DATE	02/01/20		

**hiwa**

T503  
REV 202002A

Any definite information kindly contact with Hiwa directly.

This document is the property of Huihua Valve Industry Co.  
Distribution of this document without the written consent of the owner is strictly forbidden  
Failure to comply will incur a liability for damages

http://www.hiwaflow.com Website  
sales@hiwaflow.com Email

86 - 533 - 6077217 Phone  
86 - 533 - 6077233 FAX

Huihua Valve Industry co.  
No.36 MinAn Road New Hi-Tech Industry  
Zone Zibo Shandong China 255088 p.c