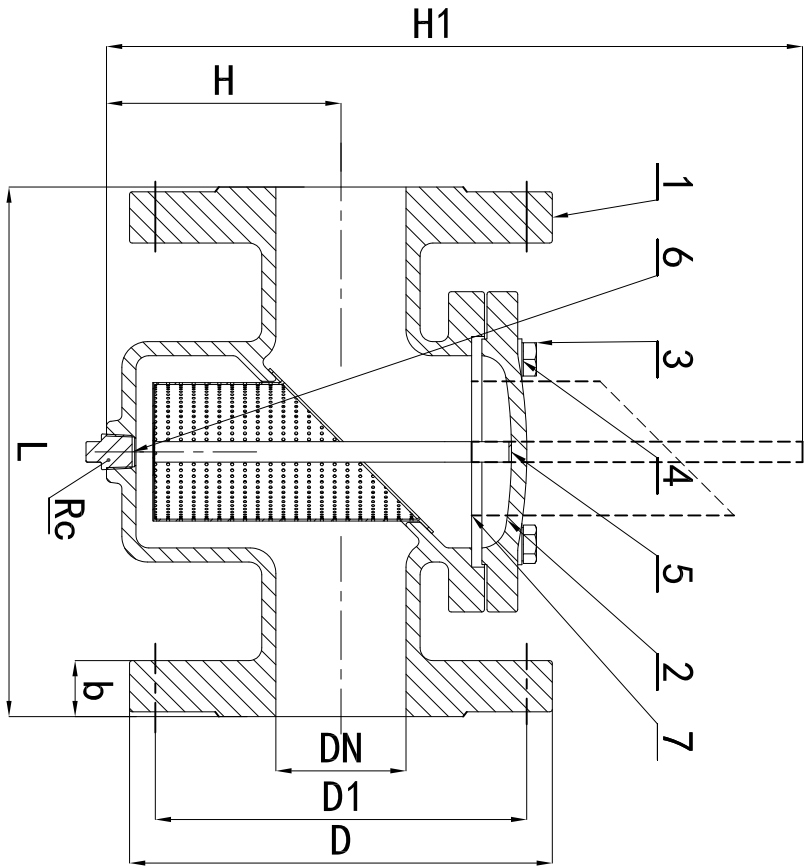
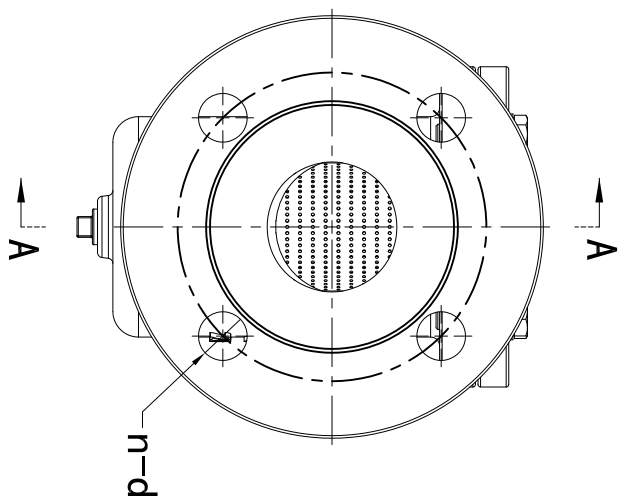


A-A



PRESSURE TEST			
DN	Pressure Rating (Bar)	Hydro-Test Pressure(Mpa)	
		Body	Seat
50-150	10	1.5	1.1
	16	2.4	1.76



1.Flange drilling according to EN1092-2 PN10/16
 2. Testing according toISO5208

DN	L	D	EN1092-2 PN10		EN1092-2 PN16		b	H	H1	Rc		
			D1	n-d	D2	D1					n-d	D2
50	206	165	125	4-19	99	125	4-19	99	20	91.5	285.5	1/4"
65	210	185	145	4-19	118	145	4-19	118	20	107	331	1/4"
80	251	200	160	8-19	132	160	8-19	132	22	124.5	365.5	3/8"
100	292	230	180	8-19	156	180	8-19	156	24	145	448	3/8"
125	333	255	210	8-19	184	210	8-19	184	26	173	535	3/4"
150	378	285	240	8-23	211	240	8-23	211	26	199	617	3/4"

7	Gasket	SS+Graphite		
6	Plug	SS304		
5	Screen	SS304/SS316		
4	Washer	SS304		
3	Nut	SS304		
2	Bonnet	Cast Iron		
1	Body	Cast Iron		
NO	Part Name	Material	q'ty	Option
DNR	wang	WEIGHT		MATERIAL
CHK		SCALE		Basket strainer
APP		DATE	07/19/2024	CS0006

Hiwa

REV 20240719a