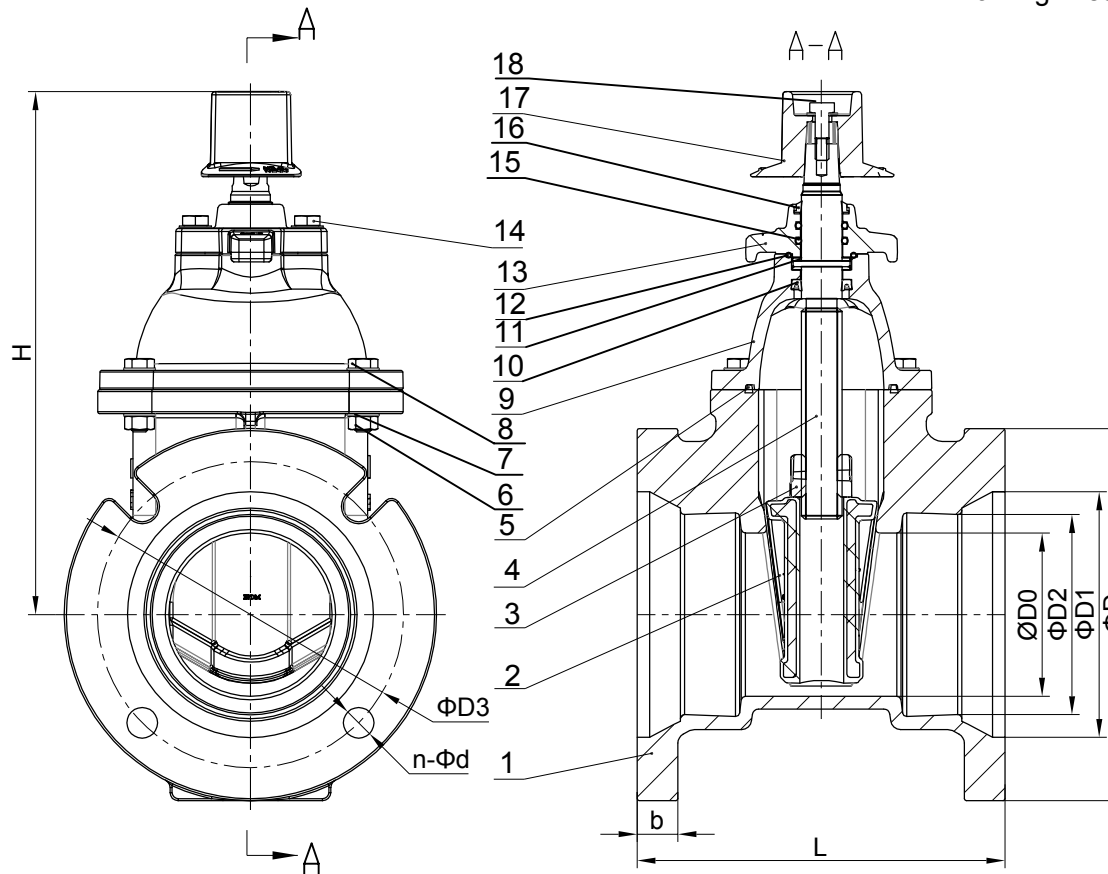


Size	L	ΦD0	ΦD	ΦD1	ΦD2	ΦD3	n-Φd	b	H
4"	229	Φ102.3	Φ231.65	Φ152.9	Φ124.5	Φ190.5	4-Φ22	25.4	368
6"	267	Φ154.1	Φ282.5	Φ206.25	Φ177.8	Φ241.3	6-Φ22	26.9	455

*All dimensions are in millimeter.

- 1.Design Standard/设计标准: AWWA C515 for 2"-8"; AWWA C509 for 10"-12".
- 2.Face to Face Standard/结构长标准: ANSI B16.10
- 3.Mechanical Ends/连接标准: AWWA C111/A21.11, AWWA C110
- 4.Working Pressure/工作压力: 175PSI, 200PSI, 250PSI, 300PSI



18	Bolt/内六角螺栓	Galvanized steel/碳钢镀锌	A307 Q235-A
17	Cap/方帽	Ductile Iron/球铁	A536 65-45-12
16	Dust Guard/防尘圈	EPDM/三元乙丙橡胶	ASTM D2000
15	O-ring/O型圈	EPDM/三元乙丙橡胶	ASTM D2000
14	Bolt/六角头螺栓	Galvanized steel 10.9grade/碳钢镀锌 10.9级	A307 Q235-A
13	Gland/压盖	Ductile Iron/球铁	A536 65-45-12
12	O-ring/O型圈	EPDM/三元乙丙橡胶	ASTM D2000
11	Washer/垫片	Nylon/尼龙	Nylon
10	V-Ring/V型圈	EPDM/三元乙丙橡胶	ASTM D2000
9	Bonnet/阀盖	Ductile Iron/球铁	A536 65-45-12
8	Bolt/六角头螺栓	Galvanized steel 10.9grade/碳钢镀锌 10.9级	A307 Q235-A
7	Washer/平垫圈	Galvanized steel/碳钢镀锌	A307 Q235-A
6	Nut/螺母	Galvanized steel/碳钢镀锌	A307 Q235-A
5	Bonnet Gasket/中法兰密封垫	EPDM/三元乙丙橡胶	ASTM D2000
4	Stem/阀杆	Stainless Steel/不锈钢	ASTM A276 431/304/316
3	Stem Nut/阀杆螺母	Aluminium Bronze/铝青铜	AS1565 C95210
2	Wedge/闸板	Ductile Iron Encapsulated with EPDM//球铁+三元乙丙橡胶	A536 65-45-12+EPDM
1	Body/阀体	Ductile Iron/球铁	A536 65-45-12
No./序号	Name/名称	Material/材料	Specification规范

DRN	WEIGHT	MATERIAL
CHK	SCALE	NRS MJ.xMJ. Gate Valve
APP	DATE	4"-6"
		CZ0028
		Z3713BUF-MM-4-6-Assembly-UL
REV	20171115-A	

This document is the property of Huihua Valve Industry Co. Distribution of this document without the written consent of the owner is strictly forbidden. Failure to comply will incur a liability for damages.

http://www.hiwa.cn Website
sales@hiwa.cn Email

86 - 533 - 6077200 Phone
86 - 533 - 6077233 FAX

Huihua Valve Industry co.
No.36 MinAn Road New Hi-Tech Industry
Zone Zibo Shandong China 255088 p.c