

Size	L	φD0	φD	φD1	L1	L2	H
2-1/2"	191	φ 65	φ 73.03	φ 69.09	15.88	23.8	268
3"	203	φ 80	φ 88.9	φ 84.94	15.88	23.8	320

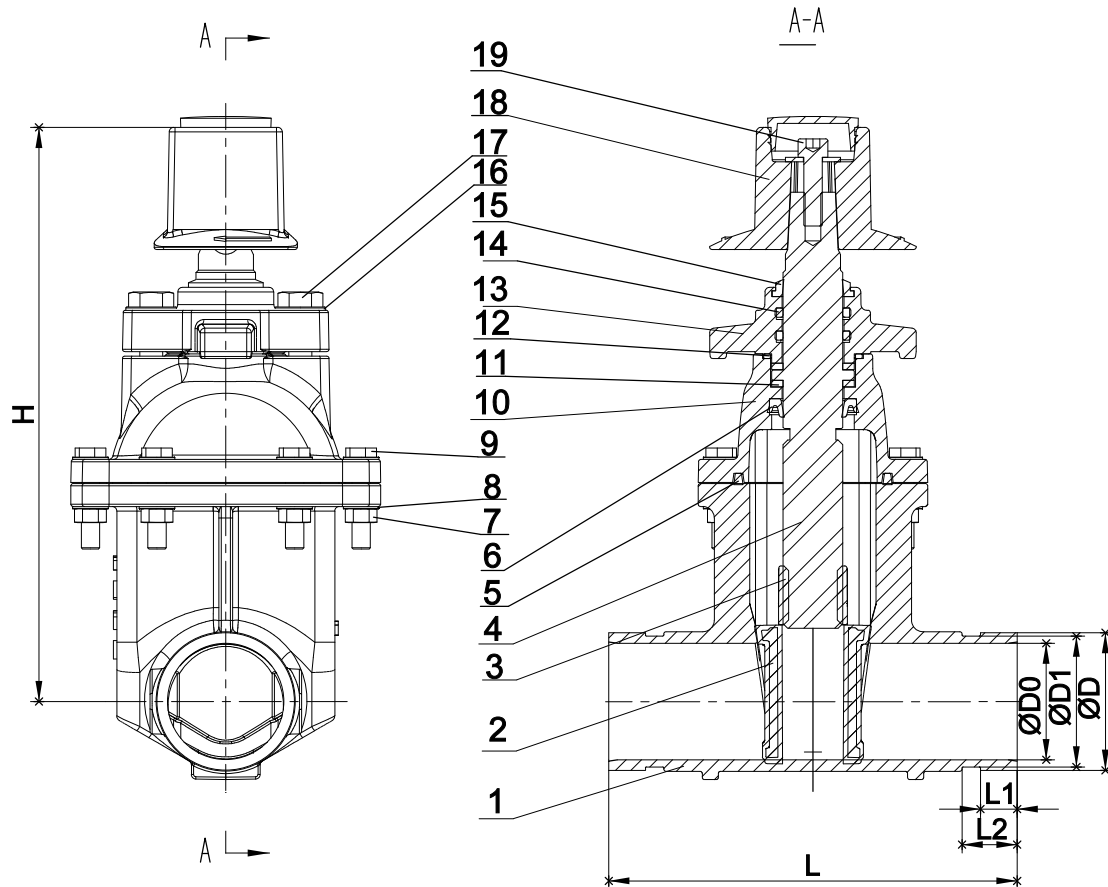
*All dimensions are in millimeter.

1.Design Standard/设计标准: AWWA C515 for 2"-8" : AWWA C509 for 10"-12".

2.Face to Face Standard/结构长标准: ANSI B16.10

3.Connection Ends/连接标准: Groove to AWWA C606

4.Working Pressure/工作压力: 175PSI, 200PSI, 250PSI, 300PSI



19	Bolt/内六角螺栓	Galvanized steel/碳钢镀锌	A307 Q235-A
18	Cap/方帽	Ductile Iron/球铁	A536 65-45-12
17	Bolt/六角螺栓	Galvanized steel/碳钢镀锌	A307 Q235-A
16	Washer/垫片	Galvanized steel/碳钢镀锌	A307 Q235-A
15	Dust Guard/防尘圈	EPDM/三元乙丙橡胶	ASTM D2000
14	O-Ring/O型圈	EPDM/三元乙丙橡胶	ASTM D2000
13	Gland/压盖	Ductile Iron/球铁	A536 65-45-12
12	O-Ring/O型圈	EPDM/三元乙丙橡胶	ASTM D2000
11	Washer/垫片	Nylon/尼龙	Nylon
10	Bonnet/阀盖	Ductile Iron/球铁	A536 65-45-12
9	Bolt/六角螺栓	Galvanized steel 10.9grade/ 碳钢镀锌10.9级	A307 Q235-A
8	Washer/平垫圈	Galvanized steel/碳钢镀锌	A307 Q235-A
7	Nut/螺母	Galvanized steel/碳钢镀锌	A307 Q235-A
6	V-Ring/V型圈	EPDM/三元乙丙橡胶	ASTM D2000
5	Bonnet Gasket/中法兰密封垫	EPDM/三元乙丙橡胶	ASTM D2000
4	Stem/阀杆	Stainless Steel/不锈钢	ASTM A276 431/304/316
3	Stem Nut/阀杆螺母	Aluminium Bronze/铝青铜	AS1565 C95210
2	Wedge/闸板	Ductile Iron Encapsulated with EPDM/球铁+三元乙丙橡胶	A536 65-45-12+EPDM
1	Body/阀体	Ductile Iron/球铁	A536 65-45-12
No/序号	Name/名称	Material/材料	Specification/规范

DRN	WEIGHT	MATERIAL
CHK	SCALE	NRS Grooved x Grooved Gate Valve 2 1/2"-3"
APP	DATE	
hiwa		CZ0027
		Z3713BUF-GG-2 1/2"-3"-Assembly-UL
REV	20171116-A	

This document is the property of Huihua Valve Industry Co. Distribution of this document without the written consent of the owner is strictly forbidden. Failure to comply will incur a liability for damages.

http://www.hiwa.cn Website
sales@hiwa.cn Email

86-533-6077200 Phone
86-533-6077233 FAX

Huihua Valve Industry co.