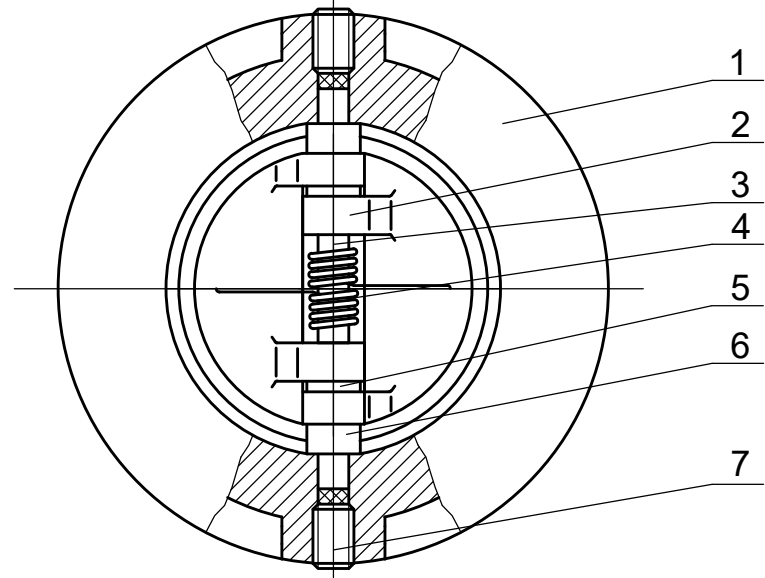



- 1.Face to Face: DIN3202 K3
- 2.Inspection and Test: API598
- 3.Connection:EN1092-2 PN16
- 4.Working Pressure: PN16

Inch	DN	L		D		D1	D2	R	t
		DIN3202 K3	EN1092-2 PN16						
10"	250	114	327	265	220	125	50.5		
12"	300	114	382	310	260	146	43.3		
14"	350	127	442	360	298	170	45.3		
16"	400	140	494	410	350	195	52.3		
18"	450	152	554	450	385	215	58.2		
20"	500	152	616	505	438	238	58.3		



NO.	NAME	MATERIAL
8	SEAT	EPDM
7	Hex nut	SS304
6	Washer	PTFE
5	Washer	PTFE
4	Spring	SS304
3	Stem	SS420
2	Disc	Ductile iron
1	Body	Ductile iron

DRN	Wang	WEIGHT		MATERIAL
CHK		SCALE		Wafer Type Check Valve
APP		DATE	07/23/2024	
				CC0010
				REV