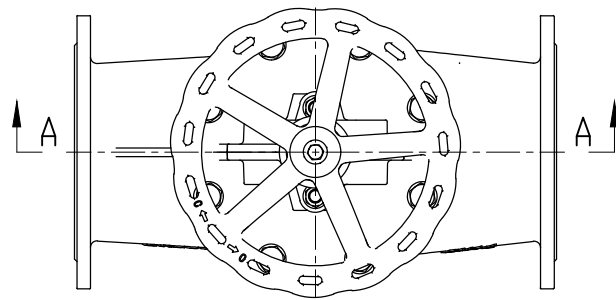


PRESSURE TEST TO ISO5208			
DN	Pressure Rating (PN)	Hydro-Test	
		Body	Seat
125-300	16	2.4	1.76

- 1.Design according to: DIN3356
- 2.Face to face according to:DIN3202 F1
- 3.Flange drilling according to :EN1092-2 PN16
- 4.Testing according to:ISO5208



11	Ball	Stainless steel		
10	Handwheel	Ductile iron		
9	Packing	Graphite		
8	Seat Ring	Brass		
7	Bonnet Gasket	Graphite+steel		
6	Stem Nut	Brass		
5	Stem	SS410		
4	Gland Flange	GGG50		
3	Disc	GGG50		
2	Bonnet	GGG50		
1	Body	GGG50		
NO.	Part Name	Material	Q' ty	Remark

Size	BS EN558	D	EN1092-2 PN16			a	b	H
	L		D1	D2	n-d			
DN125	400	250	210	184	8-19	3	19	413
DN150	480	285	240	211	8-23	3	19	454
DN200	600	340	295	266	12-23	3	20	577
DN250	730	405	355	319	12-28	3	22	740
DN300	850	460	410	370	12-28	4	24.5	720

DRN	wang	WEIGHT		MATERIAL
CHK		SCALE		Globe Valve
APP		DATE	07/19/2024	
				CJ0001
				REV

This document is the property of Huihua Valve Industry Co.
 Distribution of this document without the written consent of the owner is strictly forbidden.
 Failure to comply will incur a liability for damages.

<http://www.hiwa.cn> Website
 sales@hiwa.cn Email

86 - 533 - 6077200 Phone
 86 - 533 - 6077233 FAX

Huihua Valve Industry co.
 No.36 MinAn Road New Hi-Tech Industry
 Zone Zibo Shandong China 255088 p.c