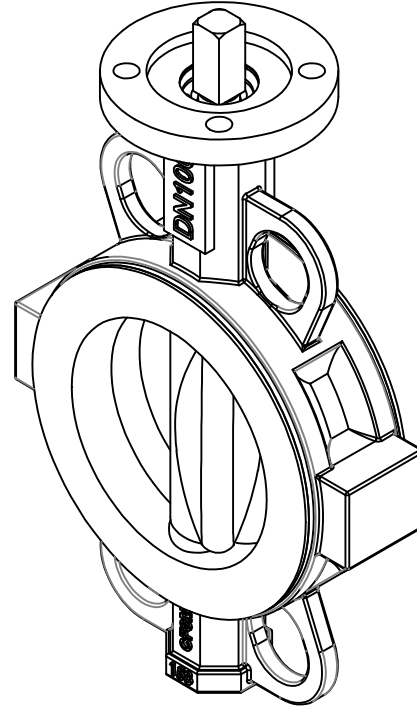
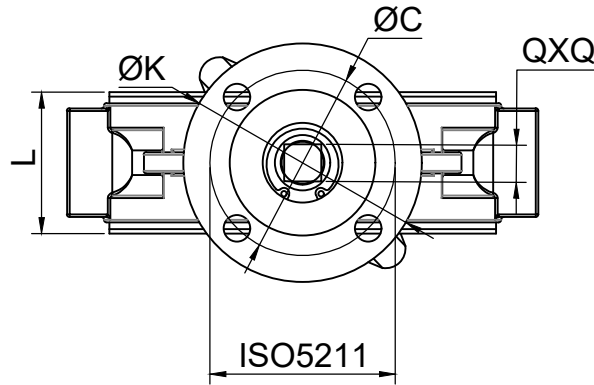


12	Circlip For Hole	304SS
11	Cushion	304SS
10	Circlip For Shaft	304SS
9	Cushion	304SS
8	Shaft Sleeve	FRP
7	Body	CF8M
6	Shaft Sleeve	FRP
5	Pressing Sleeve	FRP
4	Disc	CF8M
3	Seat	PTFE+EPDM
2	Shaft	SS316
1	Body	CF8M
ITEM	PART	MATERIAL



SIZE	A	B	D	L	H	K	ISO 5211	QxQ
DN50	65	138	112	47	32	65	50	9*9
DN65	72	140	125	50	32	65	50	9*9
DN80	85	140	142	50	32	65	50	9*9
DN100	102	160	168	55.5	32	90	70	11*11
DN125	120	175	202	59	32	90	70	14*14
DN150	137	189	230	59	32	90	70	14*14
DN200	169	230	283	63	32	90	70	17*17
DN250	200	260	344	68	45	125	102	22*22
DN300	245	291	406	73	45	150	125	22*22

DRN	Wang	WEIGHT		MATERIAL
CHK		SCALE		PTFE Butterfly Valve
APP		DATE	07/24/2024	
				B80W
				REV

This document is the property of Huihua Valve Industry Co. Distribution of this document without the written consent of the owner is strictly forbidden. Failure to comply will incur a liability for damages.

http://www.hiwa.cn Website sales@hiwa.cn Email

86 - 533 - 6077200 Phone 86 - 533 - 6077233 FAX

Huihua Valve Industry co. No.36 MinAn Road New Hi-Tech Industry Zone Zibo Shandong China 255088 p.c