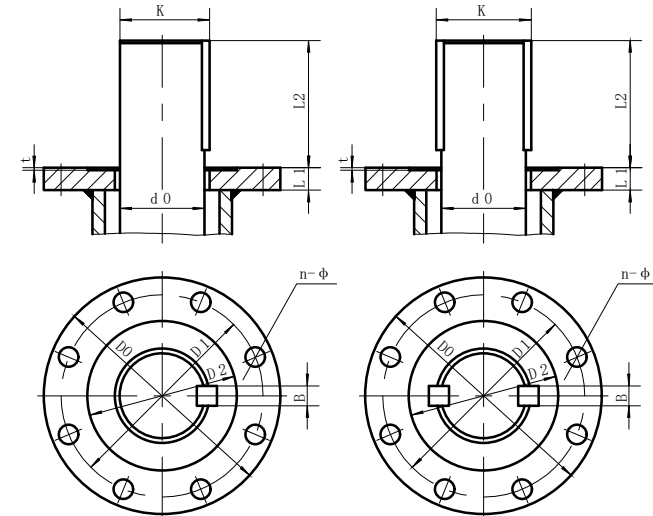


Nominal pressure		PN16	MPa
Testing pressure (MPa)	Body shell	2.4	
	Seal	1.76	
Working pressure		PN16	
Working temperature: -10~+80(° c)			
Suitable medium :water, steam, oil, etc			

DN700 Top flange DN750-DN1200



- 1.Design and manufacture according to BS EN 593-2004.
- 2.Face to face according to EN558-1 14 series/DIN3202 F4.
- 3.Flange drilling according to EN1092-2 PN16.

	DN	Top Flange	D0	D1	D2	d0	n-φ	K	B	L2	L1	t	Key size
PN10 PN16	700	F25	300	254	200 ^{+0.165} _{+0.05}	55 ^{0.03} _{-0.12}	8-18	59	16 ⁰ _{-0.043}	95	36	4	Single Key C16*85
	750	F25	300	254	200 ^{+0.165} _{+0.05}	55 ^{0.03} _{-0.13}	8-18	63	16 ⁰ _{-0.043}	95	36	4	Double Key C16*85
	800	F25	300	254	200 ^{+0.165} _{+0.05}	75 ^{0.03} _{-0.14}	8-18	85	22 ⁰ _{-0.05}	100	36	4	Double Key C22*90
	900	F25	300	254	200 ^{+0.165} _{+0.05}	75 ^{0.03} _{-0.15}	8-18	85	22 ⁰ _{-0.05}	105	36	5	Double Key C22*95
	1000	F25	300	254	200 ^{+0.165} _{+0.05}	85 ^{0.03} _{-0.16}	8-18	95	22 ⁰ _{-0.05}	115	36	5	Double Key C22*105
	1200	F30	350	298	230 ^{+0.165} _{+0.05}	105 ^{0.04} _{-0.15}	8-22	117	28 ⁰ _{-0.05}	150	36	5	Double Key C28*140

Size		L	H1	H2	H3	EN1092-2: PN16		
DN	NPS					ØD	ØC	N-Ød
700	28"	430	510	528	95	910	840	24-37
750	30"	450	570	543	95	967.5	895	24-37
800	32"	470	580	574	100	1025	950	24-41
900	36"	510	628	649	105	1125	1050	28-41
1000	40"	550	708	727	115	1255	1170	28-44
1200	48"	630	825	840	150	1485	1390	32-50

Parts	Description	Material	Specification
1	Body	Ductile iron	GGG50
2	Disc	Ductile iron	GGG50
3A	lower shaft	Stainless Steel	SS420
3B	upper shaft	Stainless Steel	SS420
4A	Seat: on Disc	Rubber	EPDM
4B	Seat: on Body	Stainless Steel	SS304
5A	lower bushing	brass	brass
5B	upper bushing	brass	brass
6	V shaped packing	Rubber	EPDM
7	Pin	Stainless Steel	SS304
8	Retainer	Stainless Steel	SS304
9	Bolt: on Retainer	Carbon Steel	
10	Thrust ring	Stainless Steel	SS304
11	End cover	Ductile iron	GGG50
12	Bolt, washer	Carbon Steel	

DRN	wang	WEIGHT	MATERIAL
CHK		SCALE	Butterfly Valve
APP		DATE 07/20/2024	
			B62F-DN700-1200
			REV

Hiuhua Valve Industry Co. No.36 MinAn Road New Hi-Tech Industry Zone Zibo Shandong China 255088 p.c
 86 - 533 - 6077200 Phone 86 - 533 - 6077233 FAX
 http://www.hiwa.cn Website sales@hiwa.cn Email
 This document is the property of Hiuhua Valve Industry Co. Distribution of this document without the written consent of the owner is strictly forbidden Failure to comply will incur a liability for damages