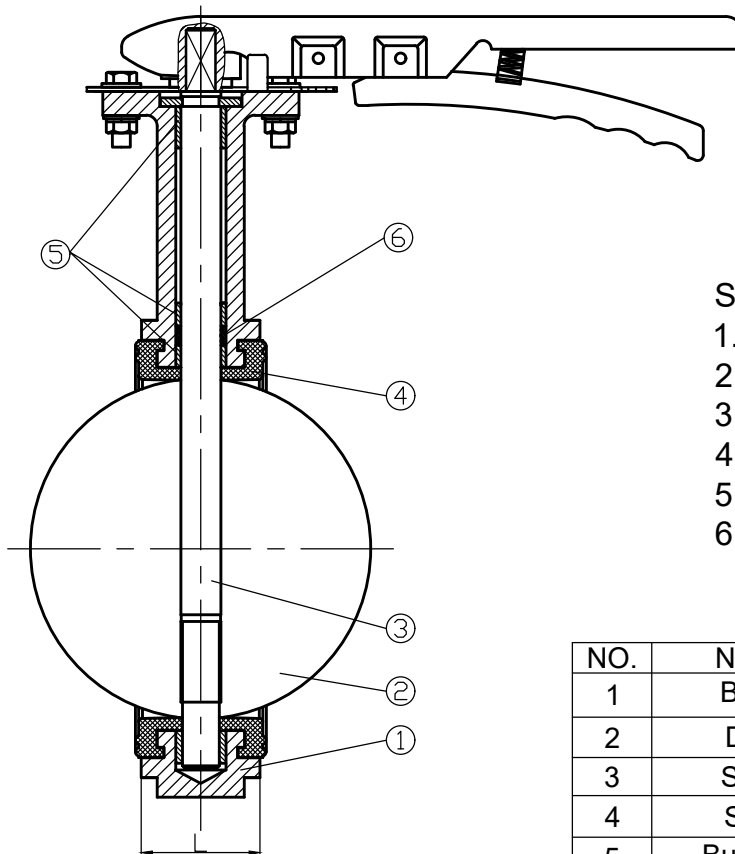
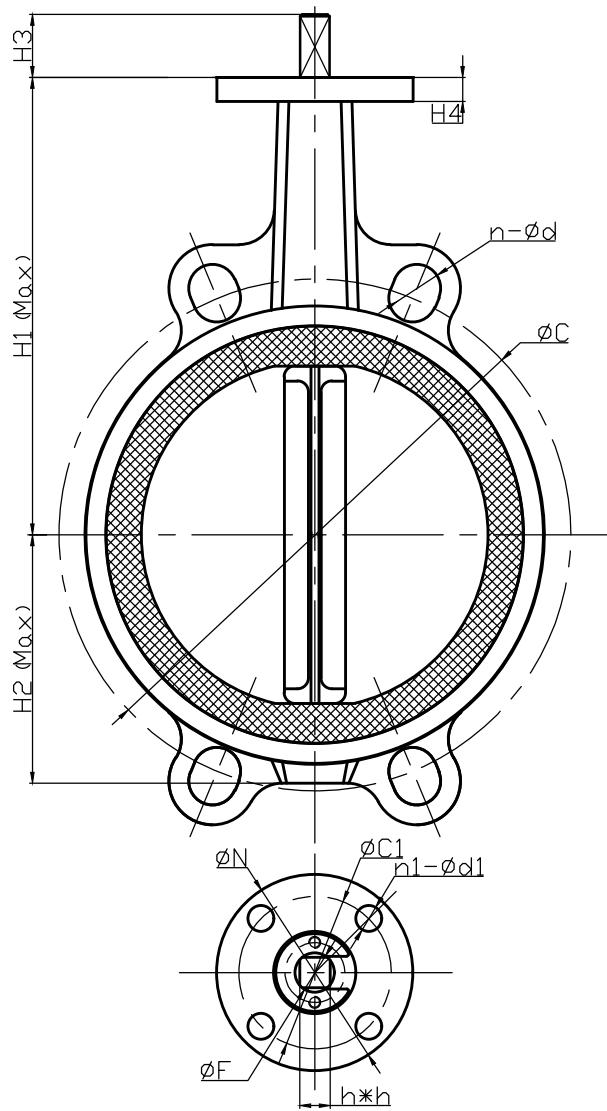


DN	H1±5 (Max)	H2±5 (Max)	H3	H4	L	DIN 2501 PN10		DIN 2501 PN16		Top Flange	ØN	ØC1	n1-Ød1	ØF	h*h
						ØC	n-Ød	ØC	n-Ød						
40	143	55	29	11	33	110	4-18	110	4-18	F05	65	50	4-8	12.1	9*9
50	143	55	29	12	43	125	4-18	125	4-18	F05	65	50	4-8	12.1	9*9
65	155	64	29	12	46	145	4-18	145	4-18	F05	65	50	4-8	12.1	9*9
80	162	72	29	13	46	160	8-18	160	8-18	F05	65	50	4-8	12.1	9*9
100	181	90	29	13	52	180	8-18	180	8-18	F07	90	70	4-10	14.1	11*11
125	197	101	29	13	56	210	8-18	210	8-18	F07	90	70	4-10	18.1	14*14
150	210	114	29	14	56	240	8-22	240	8-22	F07	90	70	4-10	18.1	14*14
200	240	145	35	17	60	295	8-22	295	12-22	F10	125	102	4-12	22.1	17*17
250	286	178	35	18	68	350	12-22	355	12-26	F10	125	102	4-12	28.2	22*22
300	309	204	35	18	78	400	12-22	410	12-26	F10	125	102	4-12	28.2	22*22



Specification:

- 1.General: ISO 5752
- 2.Face to face: DIN3202 K1
- 3.Inspection and test: API 598
- 4.Mounting pad: ISO 5211
- 5.Flange drill: DIN 2501 PN10/PN16
- 6.Workpressure:PN16

NO.	Name	Material
1	Body	Cast iron
2	Disc	DI Nickel plated
3	Stem	SS420
4	Seat	EPDM
5	Bushing	PTFE
6	Seal ring	EPDM

DRN	wang	WEIGHT		MATERIAL
CHK		SCALE		Butterfly Valve
APP		DATE	07/22/2024	
				B20W-HJ
				REV

This document is the property of Huihua Valve Industry Co.
 Distribution of this document without the written consent of the owner is strictly forbidden.
 Failure to comply will incur a liability for damages.

<http://www.hiwa.cn> Website
sales@hiwa.cn Email

86 - 533 - 607200 Phone
 86 - 533 - 607233 FAX

Huihua Valve Industry co.
 No.36 MinAn Road New Hi-Tech Industry
 Zone Zibo Shandong China 255088 p.c