

**Material and Relevant Standards:**

■ **Main Parts:**

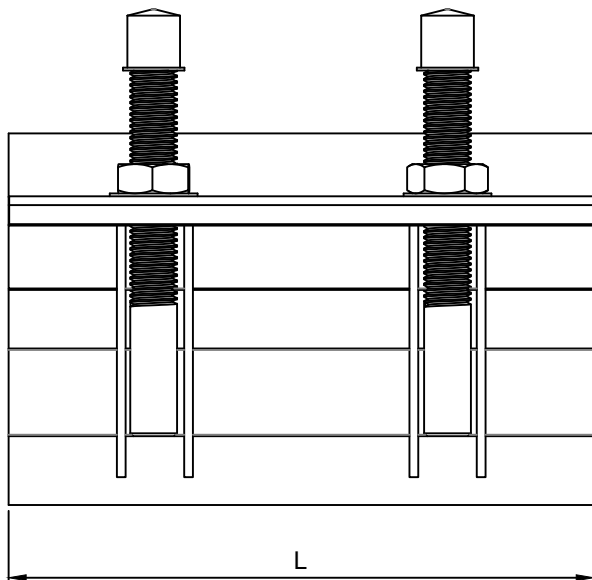
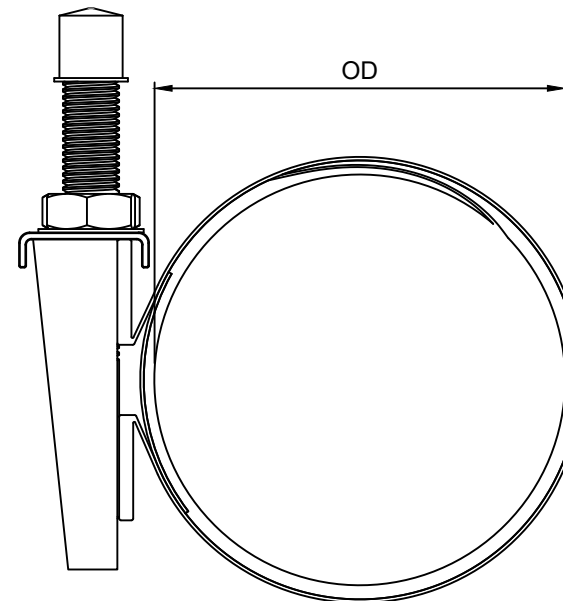
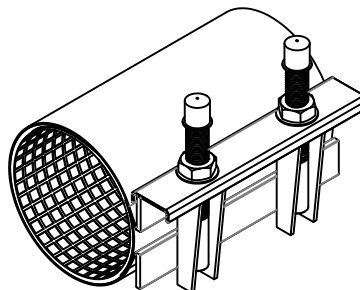
- Body, Bridge Plate, Lockable Plate, Bolts, Nuts, Washer are all stainless steel AISI304(A2).

■ **Gasket**

- EPDM for normal application, NBR, SILICONE, VITON for option.
- EPDM to BS EN681-1/ NBR to EN682.
- Our rubber had approved by WRAS(UK),any certificate request pls feel free to contact with Hiwa directly.

■ **Lug**

- Stainless Steel to AISI 304 (A2)



**Material Specification:**

Body	SS304
Rubber Seal Gasket	EPDM
Bolts	SS304
Nut	SS304
Washer	SS304
Bridge Plate	SS304
Lockable Plate	SS304
Lugs	SS304

DRAWER	TOLERANCE	MATERIAL:	UNIT:mm
CHECK	SCALE	Full Stainless Steel Repair Clamp	
APPROVAL	DATE		
		RC100S	
		REV	202107A