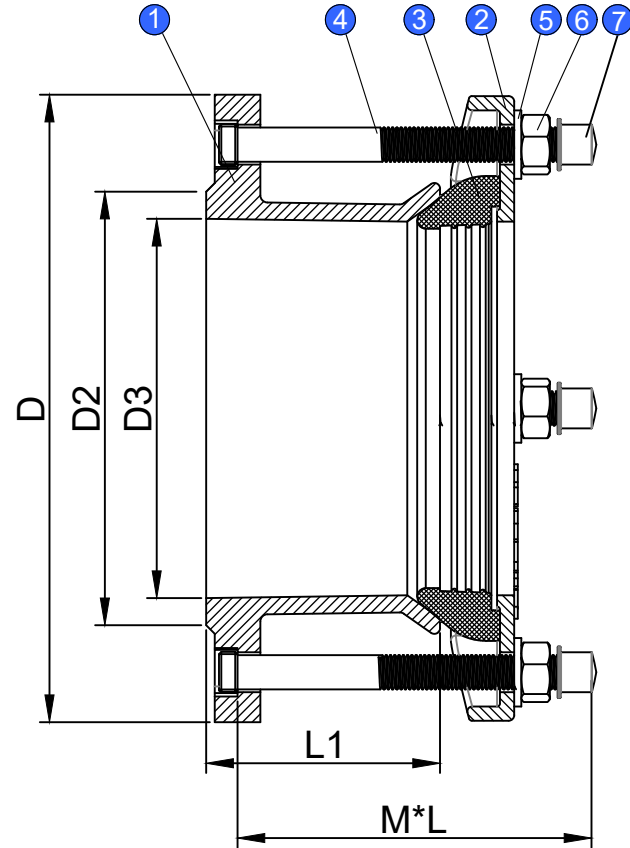
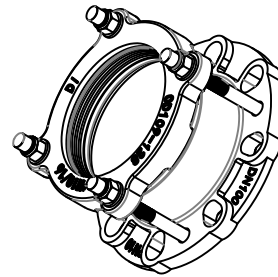
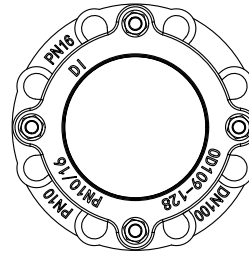


**■ Features**

- Ductile Iron GGG50 material with FBE coated.
- PN10,PN16 working pressure.
- Equipped with Dacromet Coated Steel bolts, nuts.
- EPDM or NBR rubber seals .
- High Tolerance Mechanical Pipe Fittings



**Material Specification:**

No.	Parts Name	Material	Specification
1	Body	Ductile Iron	GGG50
2	End Ring	Ductile Iron	GGG50
3	Rubber Seal	Rubber	EPDM
4	Bolt	Dacromet Coated Steel	ISO898-1:1999
5	Washer	Dacromet Coated Steel	
6	Nut	Dacromet Coated Steel	ISO898-2:1992
7	Cap	Plastic	

1:Flange dimensions according to EN1092-2  
 2:Any definite information kindly contact with Hiwa directly.

DRAWER	TOLERANCE	MATERIAL:	UNIT:mm
CHECK	SCALE	Universal Flange Adaptor	
APPROVAL	DATE		
<b>hiwa</b>		DN40-DN600	
		REV	202202A