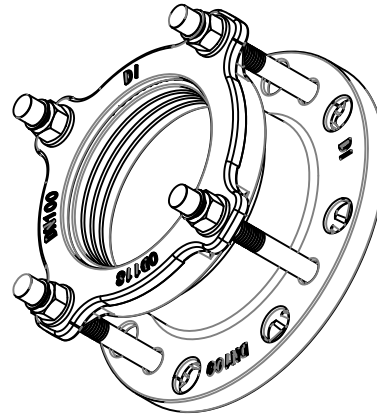
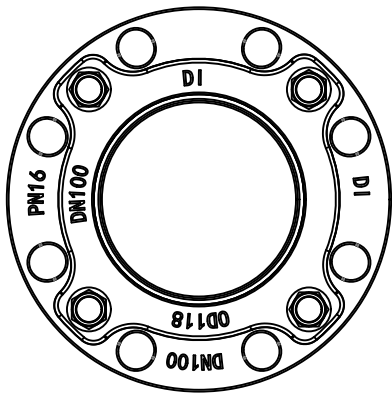
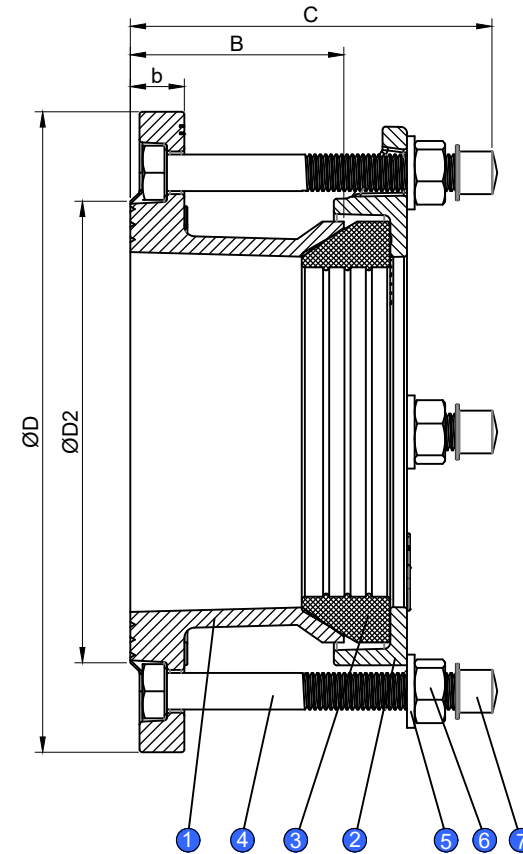


Fig:FA20



■ Features


- Ductile Iron GGG50 material with FBE coated.
- PN10,PN16 working pressure.
- Equipped with Dacromet Coated Steel bolts, nuts.
- EPDM or NBR rubber seals .
- High Tolerance Mechanical Pipe Fittings



Material Specification:

No.	Parts Name	Material	Specification
1	Body	Ductile Iron	GGG50
2	End Ring	Ductile Iron	GGG50
3	Rubber Seal	Rubber	EPDM
4	Bolt	Dacromet Coated Steel	ISO898-1:1999
5	Washer	Dacromet Coated Steel	
6	Nut	Dacromet Coated Steel	ISO898-2:1992
7	Cap	Plastic	

1:Flange dimensions according to EN1092-2
 2:Any definite information kindly contact with Hiwa directly.

DRAWER	TOLERANCE	MATERIAL:	UNIT:mm
CHECK	SCALE	Dedicated Flange Adaptor	
APPROVAL	DATE		
		DN40-DN300	
		REV	202002A

This document is the property of Huihua Valve Industry Co.
 Distribution of this document without the written consent of the owner is strictly forbidden
 Failure to comply will incur a liability for damages

<http://www.hiwaflow.com> Website
sales@hiwaflow.com Email

86 - 533 - 6077217 Phone
 86 - 533 - 6077233 FAX

Huihua Valve Industry co.
 No.36 MinAn Road New Hi-Tech Industry
 Zone Zibo Shandong China 255088 p.c