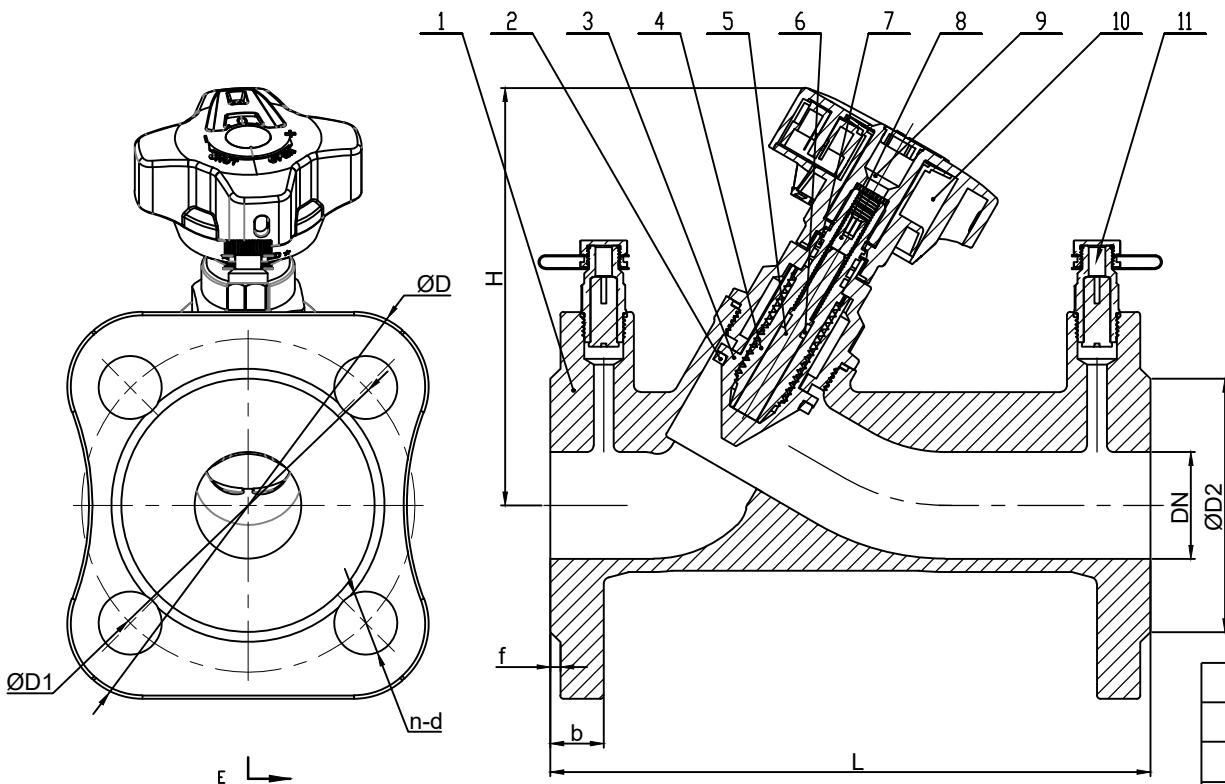




E-E  
1 1



Technical Requirements

1. Design and manufactory as per: BS 7350
2. Flange dimensions as per: EN1092-2 PN16
3. End and end dimensions as per: EN558-1 Series 1
4. Factory inspection project: GB/T 28636-2012

No	Parts name	Material
1	Body	DI
2	Disc ring	PTFE
3	Disc	Brass
4	Stem	Brass
5	Pin	Stainless steel
6	O ring	EPDM
7	O ring	EPDM
8	Screw	Stainless steel
9	Bolt	Stainless steel
10	Handle	Plastics
11	Pressure nozzle	Brass

SIZE	L	D	D1	n-d	D2	b	f	H
15	130	95	65	4-14	46	14	2	104
20	150	105	75	4-14	56	14	2	106
25	160	115	85	4-14	65	16	3	115
32	180	140	100	4-19	76	16	3	125
40	200	150	110	4-19	84	19	3	135
50	230	165	125	4-19	99	19	3	150

DRN	Wang	WEIGHT		MATERIAL	
CHK		SCALE		Static Balancing Valve	
APP		DATE	07/19/2024		
				CM0030	
				REV	20240719a

Hiuhua Valve Industry Co.  
 No.36 MinAn Road New Hi-Tech Industry Zone Zibo Shandong China 255088 p.c  
 Phone 86 - 533 - 6077200 FAX 86 - 533 - 6077233  
 Website http://www.hiwa.cn Email sales@hiwa.cn  
 This document is the property of Hiuhua Valve Industry Co. Distribution of this document without the written consent of the owner is strictly forbidden. Failure to comply will incur a liability for damages.